

AIoT Platform for Data Acquisition and Control Systems

Features

- Edge device equipped with Jetson Xavier NX module
- Weather sensors support real time monitor of multiple outdoor air quality indicator
- Supports WIFI/4G/5G connectivity
- Integrates with 4x IP Bullet cameras
- Suitable for Smart City and Autonomous Infrastructure



Specifications



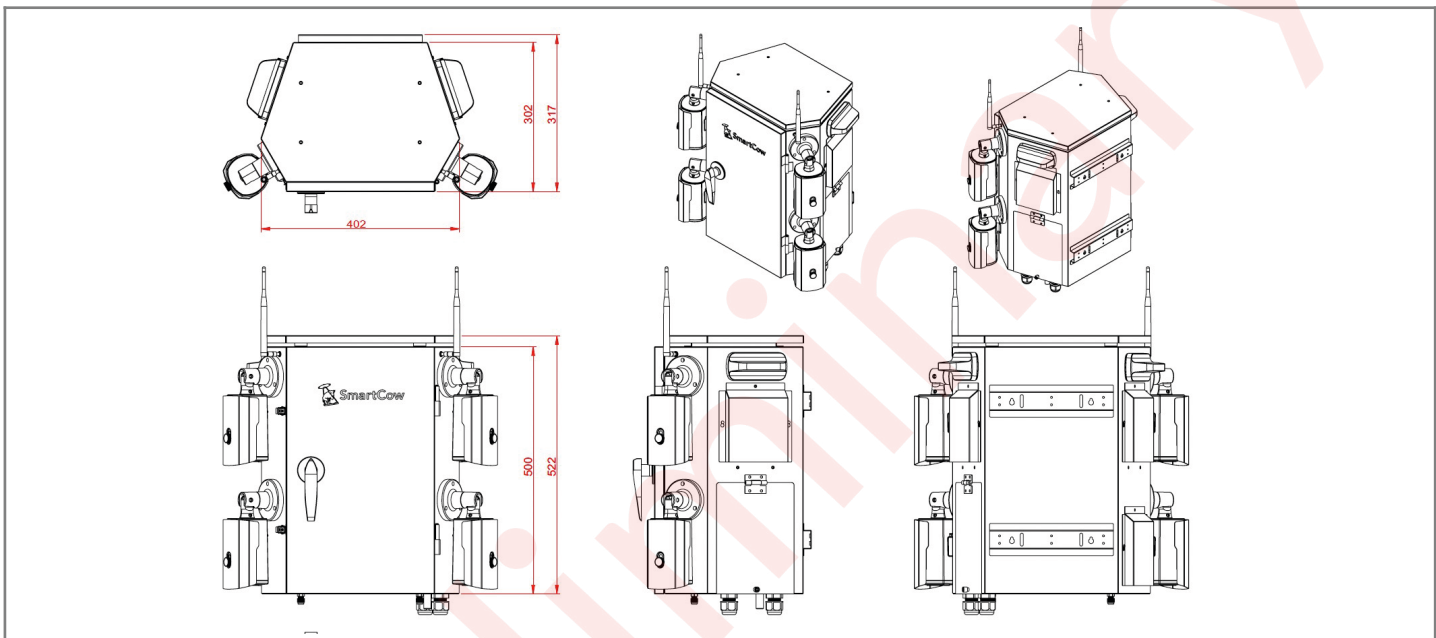
IP Bullet Camera:

- 5MP IR & WDR with Progressive scan CMOS sensor
- Equipped with 2.8~12mm motorized lens
- Supports 3D DNR (Digital Noise Reduction), ONVIF
- Extended IR range up to 45m / 148ft.
- Weather-proof IP66 rated

Weather Sensors:

Measurement Index	Temperature	Humidity	PM2.5	PM10	CO
Operating range	-40~125 °C	0~100% RH	0~1000 µg/m3	0~1000 µg/m3	0~1,000 ppm
Resolution	0.1 °C	1%RH	1 µg/m3	1 µg/m3	0.1 ppm
Operating Principle	CMOSens	CMOSens	Optics	Optics	Electrochemistry
Response time	30 sec	30 sec	10 sec	10 sec	60 sec
Warmup time	60 sec	60 sec	300 sec	300 sec	60 sec
Sampling method	Real time				

Mechanical



Ordering Information

Part Number	Description
	- System with 8G Xavier NX and integrates with 4x IP cams, 5G connectivity, WIFI, weather sensors
	- System with 8G Xavier NX and integrates with 4x IP cams, 4G connectivity, weather sensors
	- System with 8G Xavier NX and integrates with 4x IP cams, 4G connectivity