



A height adjustable 32" IPS Panel Technology monitor featuring WQHD resolution

Looking for the perfect monitor? Choose the best all-around IPS Panel Technology guaranteeing perfect colour reproduction with wide viewing angles. Meeting the demands of both graphic design and the modern work place, the 32" XB3270QS with a high WQHD resolution offers the perfect solution for productivity, design and data analysis. The height-adjustable stand ensures you can adjust the screen position to your preferences, and the flicker-free panel with blue light reducer function reduces eye fatigue. This high-end feature-rich panel is the new hallmark of the discerning user across many sectors.



WQHD

With true WQHD 2560 x 1440p resolution your monitor is ready to display high definition images. This means you can accommodate more information on your screen, i.e. over 76% more in comparison to a 1920 x 1080 monitor.



Height Adjustable Stand

A Height Adjustable Stand allows you to set the perfect position of the screen ensuring ergonomic posture and optimal viewing comfort which benefits not only your health but also productivity.

01 DISPLAY CHARACTERISTICS

Diagonal	31.5", 80cm
Panel	IPS Panel Technology LED, matte finish
Native resolution	2560 x 1440 @60Hz (WQHD, 3.7 megapixel)
Aspect ratio	16:9
Brightness	250 cd/m ² typical
Static contrast	1200:1 typical
Advanced contrast	80M:1
Response time	4ms
Viewing zone	horizontal/vertical: 178°/178°, right/left: 89°/89°, up/down: 89°/89°
Colour support	1.07B 10bit (8bit + Hi-FRC) (sRGB:100%, NTSC: 72%)
Horizontal Sync	30 - 90KHz
Vertical Sync	50 - 75Hz
Viewable area W x H	698.1 x 392.7mm, 27.5 x 15.5"
Pixel pitch	0.273mm
Colour	matte, black

02 INTERFACES / CONNECTORS / CONTROLS

Signal input	DVI x1 HDMI x1 DisplayPort x1
HDCP	yes
Headphone connector	yes

03 FEATURES

Blue light reducer	yes
Flicker free	yes
OSD languages	EN, DE, FR, IT, CN, RU, JP, CZ, NL, PL
Control buttons	Power, Input/ Select, Scroll up/ Audio, Scroll down/ i-Style Colour, Menu
User controls	input select, picture (brightness, contrast, sharpness, OverDrive, ACR, ECO, Blue Light Reducer, X-Res Technology), audio (volume, mute, audio input), colour settings, language, OSD settings (OSD H. position, OSD V. position, OSD background, OSD timeout), setup menu (video mode adjust, opening logo, LED, information, reset)
Speakers	2 x 3W
Convenience	Kensington-lock™ prepared, DDC2B, Mac OSX

04 MECHANICAL

Display position adjustments	height, swivel, tilt
Height adjustment	100mm
Swivel stand	90°; 45° left; 45° right
Tilt angle	22° up; 3° down
VESA mounting	100 x 100mm

05 ACCESSORIES INCLUDED

Cables	power, HDMI, DP
--------	-----------------

Other

quick start guide, safety guide

06 POWER MANAGEMENT

Power supply unit

internal

Power supply

AC 100 - 240V, 50/60Hz

Power usage

39W typical, 0.5W stand by, 0.5W off mode

07 SUSTAINABILITY

Regulations

CE, TÜV-Bauart, VCCI-B, PSE, CU

Energy efficiency class

C

Other

REACH SVHC above 0.1%: Lead

08 DIMENSIONS / WEIGHT

Product dimensions W x H x D

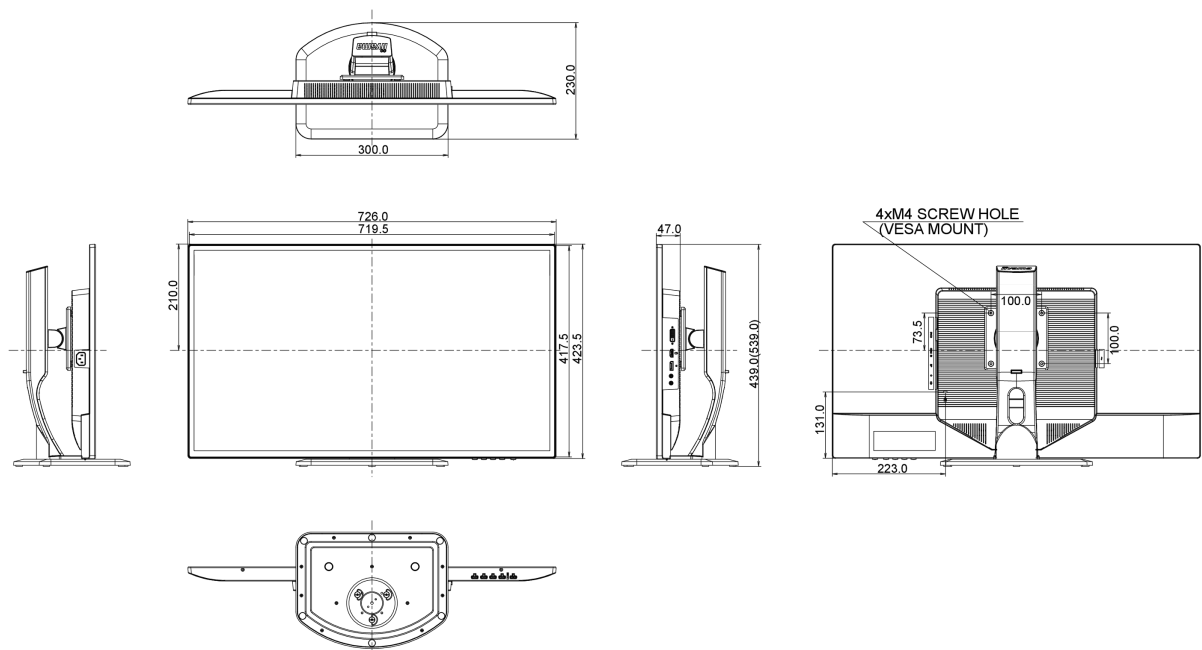
726 x 439 (539) x 230mm

Weight (without box)

8.1kg

EAN code

4948570115518



09 EU ENERGY EFFICIENCY LABEL

Manufacturer

iiyama

Model

ProLite XB3270QS-B1

Energy efficiency class

C

Visible screen diagonal

80cm; 31.5"; (32" segment)

ON mode power consumption

63.5W

Annual energy consumption	93kWh/annum*
Power in Standby	0.5W stand by
Power in OFF Mode	0.5W off mode
Resolution	2560 x 1440

*This is information under Regulation (EU) No 1062/2010.*Based on the power consumption of the television operating 4 hours per day for 365 days. The actual energy consumption will depend on how the television is used.*

All trademarks and registered trademarks acknowledged. E & O E. Specification subject to change without notice. All LCD's comply with ISO-9241-307:2008 in connection with pixel defects.

© IİYAMA CORPORATION. ALL RIGHTS RESERVED